



三元電動捲門馬達有限公司

San Yuan Electric Rolling Door Motor Co., Ltd.

<http://www.san-yuan.com.tw>



排鍊式大門機

row-chain-type gate operator



排齒式大門機

rack-type gate operator



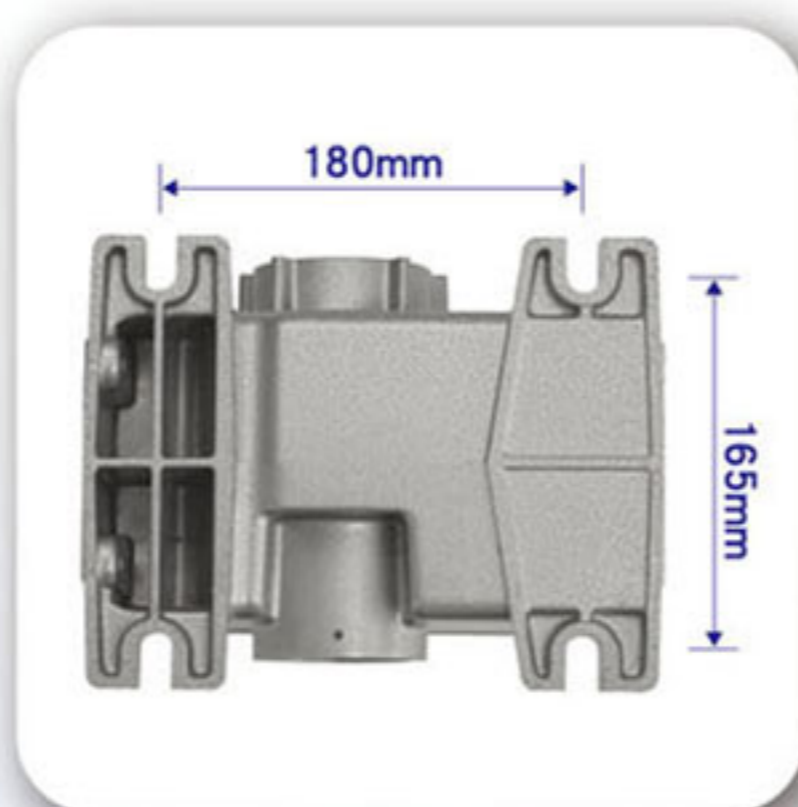
鍊條式大門機

chain-type gate operator



齒頂至地面距離

The distance from top of gear to ground



大門機齒箱螺絲中心距離

Lock screw here
(the center of the 4 screws)



空速特寫(停電可用手推動開關)

Move the door without electricity

技術領先
AHEAD IN TECHNIQUE

品質第一
SUPERIOR IN QUALITY

顧客至上
CUSTOMER THE SUPREME

大門機特點：

1. 定格材料、嚴格品管

本產品全部配件皆有一定品質、規格、經特殊設計，嚴密品質管制，產品具有耐候、耐久多項特點。

2. 密封、防雨、防風

外殼材質使用耐龍加纖維，具有一定密封性且防風、防雨。

3. 操作方便、無誤動作

大門機容易操作左右或停止動作。

4. 機械式剎車系統功能

限制開關運行中，如誤觸反向按鈕開關時，馬達不會逆轉。

5. 安裝容易、運行力強

產品體積小、重量輕、安裝容易、美觀不占空間。

6. 熱效保護、安全保障

馬達本體附有精密熱感應偵測器，當使用發生故障時，會自動切斷電源，防止馬達損壞燒毀。

7. 手動裝置

產品附有六角機械式定位空檔旋轉鈕，停電時右轉為空檔，可手動簡易操作開關門。

8. 可外加安全裝置

本機可結合外加紅外線安全保護或碰停安全裝置，使用上更為安全。

9. 可外加定時自動開關系統

本機可外加定時開關或自動關門功能，可任意設定自動關門時間。

Gate Operator Characteristics

1. Standard Materials, Strict Quality Control

The accessories of the product are all superior in quality and specification. With the special design and the strict quality control, the product can bear the weather and be very durable.

2. Sealed, Rainproof, Windproof

The material of the outer covering is nylon plus fiber. It possesses the certain sealed characteristic, and is rainproof, windproof.

3. Easy to Operate, Accurate Movements

The gate operator is easy to move from side to side, easy to stop.

4. Mechanical Brake System Function

If the reverse button switch is touched by mistake while the limit switch is in motion, the motor will not reverse.

5. Easy to install, Running Strong

The product is small, light, easy to install, good shaping and not occupying the space.

6. Thermal Efficiency Protection, Guarantee of Security

The motor itself possesses precise thermal sensor detector. When having a breakdown, it can cut off the power source automatically to prevent the motor from burning down.

7. Manual Device

The product has the hexagonal mechanical position neutral rotation button. When power cut, turn right to the neutral gear. It is easy to operate the gear operator manually.

8. Additional Safety Device

The product is safer when it is installed together with the infrared safeguard or the touch-stop safety device.

9. Additional Autotimer System

The product can be installed together with the autotimer or the auto-shut function, and can be set the auto-shut time as you wish.

產品規格及尺寸 SPECIFICATION AND MEASURE

| 機型編號 Type No. | 機型 Type | 機型尺寸 (長x前後寬x高) Dimension (length x width x height) | 載重 Loading weight | 電壓 Voltage | 馬力 HP |
|--------------------------------|--|---|----------------------|---------------------|----------|
| A2T500 A2L500 A2LL500 | 排齒式rack-type 鍊條式chain-type 排鍊式row-chain-type | 260x240x415 mm | 500 kg | 110V/220V | 1/2 Hp |
| A2T1000 A2L1000 A2LL1000 | 排齒式rack-type 鍊條式chain-type 排鍊式row-chain-type | 260x240x415 mm | 1000 kg | 110V/220V | 1Hp |
| A2T1500 A2L1500 A2LL1500 | 排齒式rack-type 鍊條式chain-type 排鍊式row-chain-type | 260x240x415 mm | 1500 kg | 220V three-phase | 1 1/2 Hp |

PS：由於不同的用法，每個國家都有自己的電壓範圍。請告知我們您的電壓要求。

Because of the different usage, every country has its own voltage range.

Please advise us of your voltage requirement.

代理商 / 經銷商
Agents & Distributors Wanted